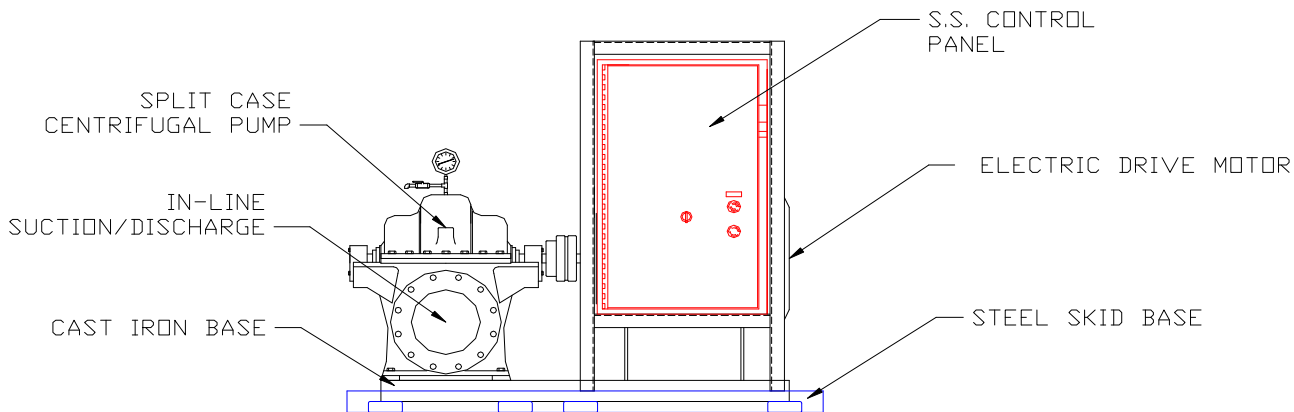




Fact Sheet BSS-I6000 150hp Rental Pump



Equipment Description

All Pumps are skid mounted and fully packaged as standard. All units are shipped complete with a NEMA 4x starter panel for easy single point connection. The unit is designed to be off-loaded with a forklift or crane. Like all of Blue-Stream Service's temporary equipment, reliability and ease of use are at the forefront of our design philosophy.

Mechanical Connections

Inlet (Suction)	1 – 12" Diameter Flange
Outlet (Discharge)	1 – 10" Diameter Flange

Physical Data

Model	VTECP-I6000 150 H.P.
Base	4' x 8'
Width	4'
Max. Height	4'
Design Flow Range	2,400 - 6,000 GPM
Operating Weight	4,850 lbs.

For more information, please contact Blue-Stream Services 24/7/365 at **866.939.2583**.

Electrical

Manufacturer	Aurora
Total HP/F.L. Amps	150/190
Phase/Hz/Volts	3/60/460
Enclosure	TEFC
Speed	1200 RPM
Insulation	F / 1.15

Materials/Construction

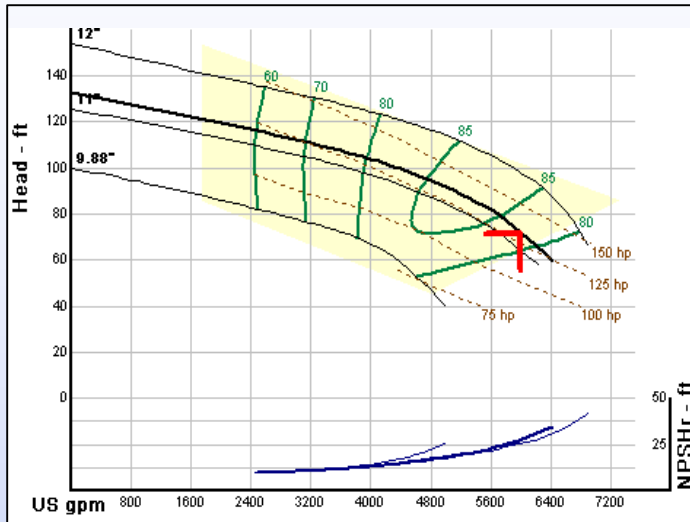
Coupling Guard	Steel
Casing Wear Ring	Bronze
Casing	Cast Iron
Shaft	SAE
Impeller	Bronze
Lubrication	Grease
Bearings	6207 Radial / 5306 Coupling
Coupling	Dodge Paraflex

Blue-Stream Services, LLC
 New Iberia, LA (HQ) - Baton Rouge, LA - Houston, TX
 Orlando, FL - Atlanta, GA
 866.939.2583

www.bluestreamservices.com
24/7/365 Response ... 866.939.BLUE



Fact Sheet BSS-I6000 150hp Rental Pump



<u>Flow - GPM</u>	<u>Speed - RPM</u>	<u>FT/Head</u>	<u>Pump Efficiency (%)</u>	<u>BHP</u>	<u>NPSHr/FT</u>
-------------------	--------------------	----------------	----------------------------	------------	-----------------

6,000	1780	71	82	131	28.3
4,800	1780	91.4	85	134	17.5
3,600	1780	107	76	128	12
2,400	1780	115	58	121	10

Blue-Stream Services, LLC
 New Iberia, LA (HQ) - Baton Rouge, LA - Houston, TX
 Orlando, FL - Atlanta, GA
 866.939.2583

www.bluestreamservices.com

Blue-Stream Services... Home of the World's Largest Portable Cooling Towers