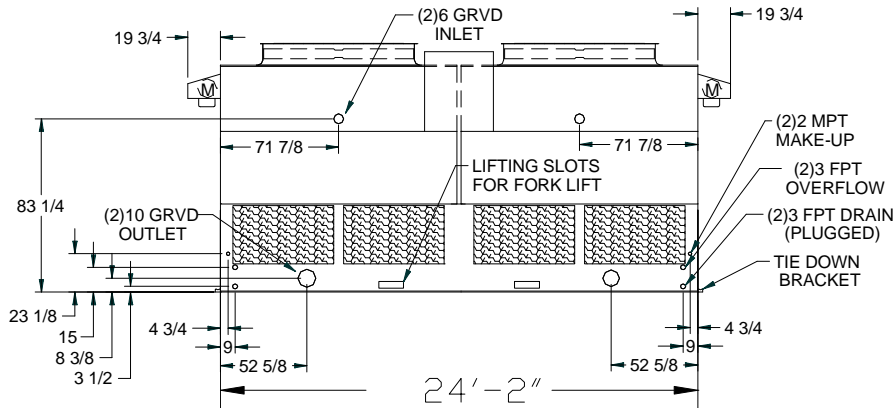




# Fact Sheet

## BSS ED500/SS - 500 Ton Portable Cooling Tower



### Equipment Description

All Towers are skid mounted and fully packaged as standard. Stainless Steel Basins are standard and all units are shipped complete with weatherproof starter panel for easy, single point connection. Units are designed to easily be off-loaded with a forklift.

### Mechanical Connections

Outlet (Cold Water) 2 - 10" Dia., Victaulic

Inlet (Hot Water) 2 - 6" Dia., Victaulic

Overflow 2 - 3" Dia. FPT

Make-up Water 2 - 2" Dia., MPT

### Physical Data

Model Evapco AT-28-624-S

Length 24' 2"

Width 7' 10"

Max. Height 10' 6"

Design Flow Range 500 - 2,000 GPM

Operating Weight 15,600 lbs.

Shipping Weight 8,350 lbs.

### Electrical

Motor 2 x 25hp

Total HP/F.L. Amps 50hp /68a.

Phase/Hz/Volts 3/60/460

Enclosure TEFC

Fan F.L. Amps 34a.

Main Breaker 100a.

Basin Heaters 2 x 6000 watt

Fans Axial - V - Belt Drive

### Materials/Construction

Basin 304 Stainless Steel

Structure 304 Stainless & Hot Dip Galvanized Steel with Zinc Coating (G-235)

Drift Eliminators PVC

Mounting Brackets 304 Stainless Steel

Heat Transfer Media Honeycomb Sheet

Water Distribution PVC Header / ABS Nozzles

Supports 304 Stainless Steel

**Blue-Stream Services, LLC**  
**New Iberia, LA (HQ) - Baton Rouge, LA - Houston, TX**  
**Orlando, FL - Atlanta, GA**  
**866.939.2583**

[www.bluestreamservices.com](http://www.bluestreamservices.com)  
**24/7/365 Response ... 866.939.BLUE**